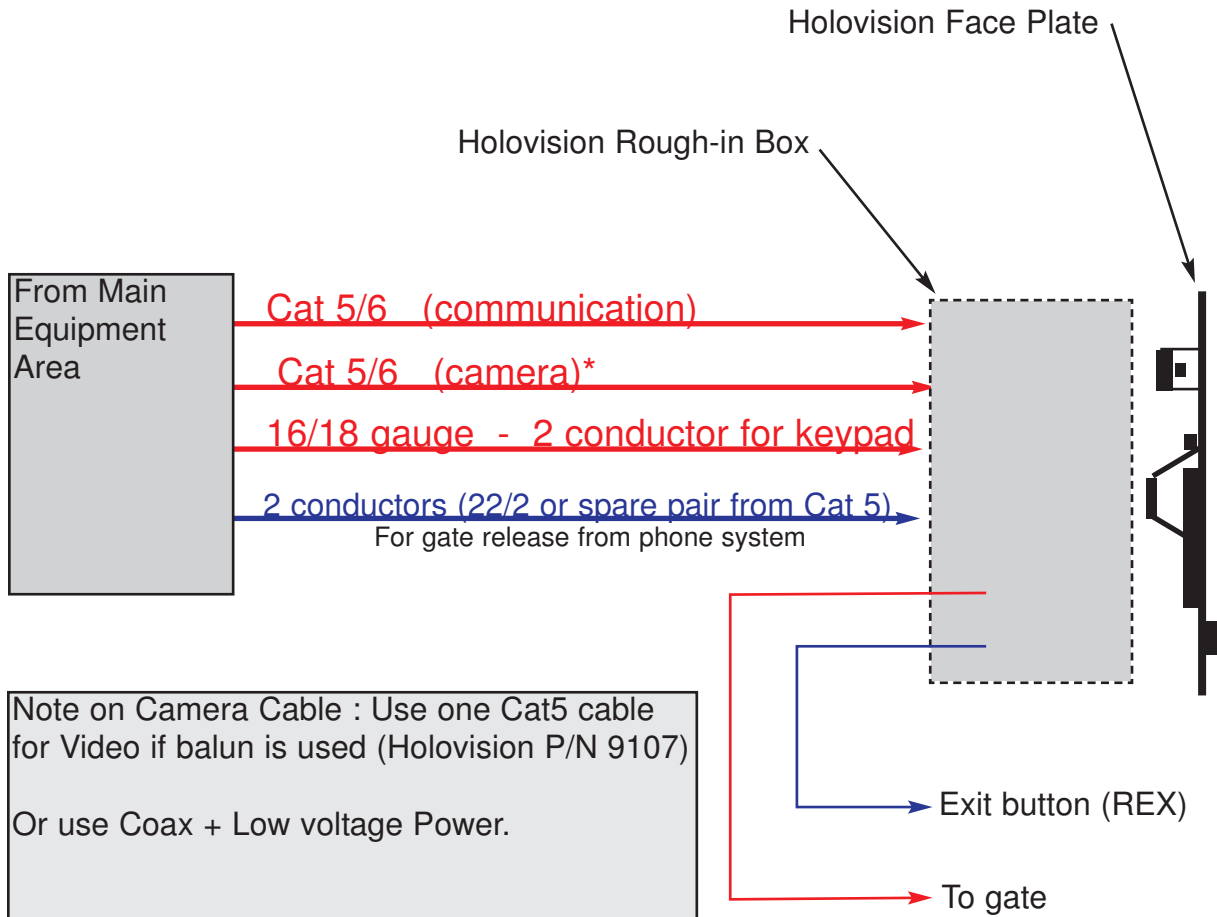


# Prewire for Models 304, 401, 403, 404, 411, 415, 416, 518, 1088

Prewire for "S12" keypad

Prewire for all "Pan", "TES", "Vik", "Elan", etc.

---



**NOTE:**

Wires shown in red are the minimum required

Wires shown in blue are recommended

Wire for gate release from phone system is required, but it can be a spare pair from Cat5/6

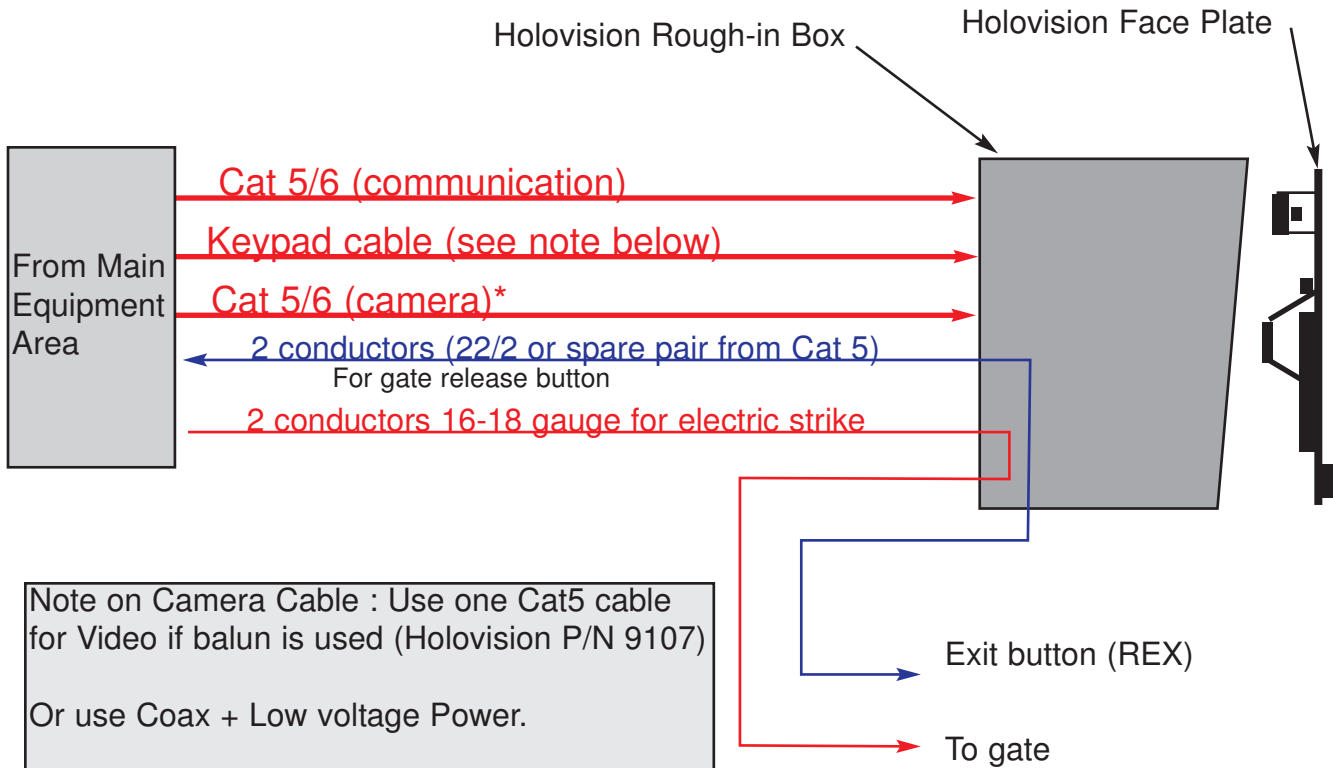
**NOTE:** Low voltage cable requirements include:

1. Telephone relay out - wires from phone system to gates (drive gate and pedestrian gate)
2. Release button (exit button)
3. 2 conductors 16/18 gauge for electric strike

# Prewire for Models 304, 401, 403, 404, 411, 415, 416, 518, 1088

Prewire for "W" keypad

Prewire for all "Pan", "TES", "Vik", "Elan", etc.



**NOTE:**  
Wires shown in red are the minimum required  
Wires shown in blue are recommended

## Wiegand Keypads:

### Cable Distance

Wiegand or Clock-and-Data interface: 500 feet

### Recommended cable

Alpha 1295, Belden 5503FE 5 conductor, 22 AWG stranded with overall shield or equivalent

**NOTE: Cat 5 / 6 cable for Wiegand keypad is NOT Recommended**

## ASCII Keypads:

### Cable Distance

ASCII controller: 500 feet

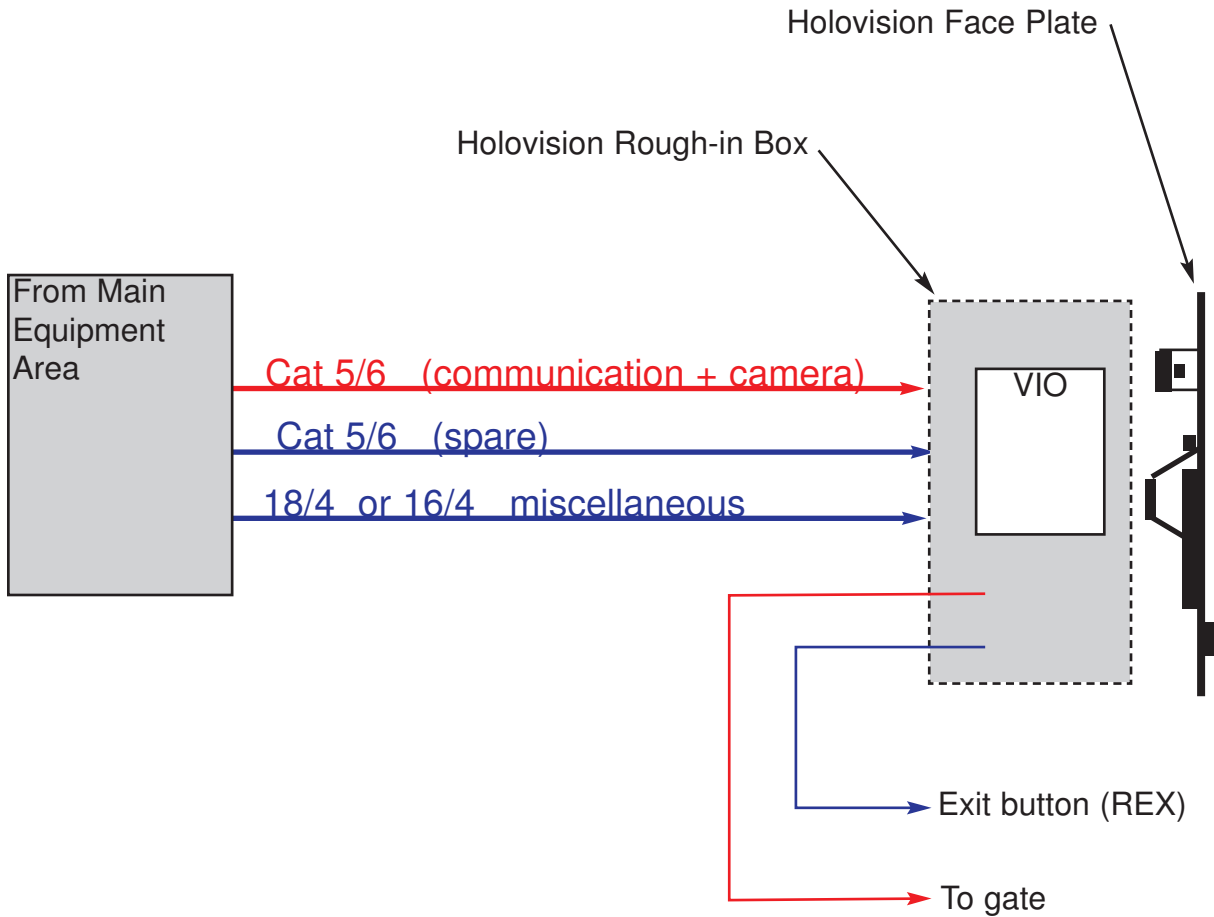
### Recommended cable

Cat 5, Cat 6

# Prewire for Models 304, 401, 403, 404, 411, 415, 416, 1088

Prewire for "S12" keypad

Prewire for VIO

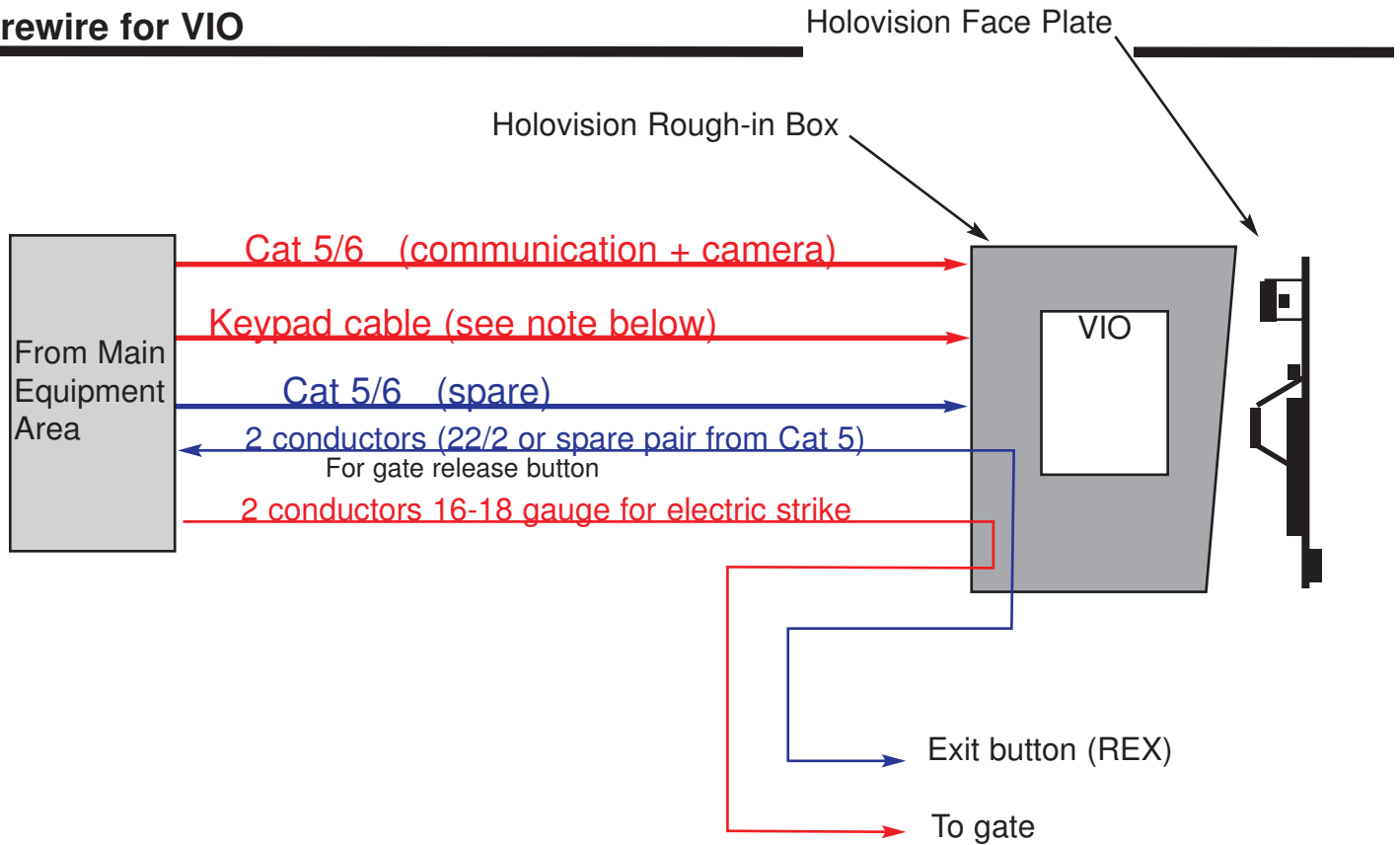


**NOTE:**  
Wires shown in red are the minimum required  
Wires shown in blue are recommended

# Prewire for Models 304, 401, 403, 404, 411, 415, 416, 1088

Prewire for "W" keypad

Prewire for VIO



**NOTE:**  
 Wires shown in red are the minimum required  
 Wires shown in blue are recommended

**Wiegand Keypads:**

**Cable Distance**  
 Wiegand or Clock-and-Data interface: 500 feet

**Recommended cable**  
 Alpha 1295, Belden 5503FE 5 conductor, 22 AWG stranded with overall shield or equivalent

**NOTE: Cat 5 / 6 cable for Wiegand keypad is NOT Recommended**

**ASCII Keypads:**

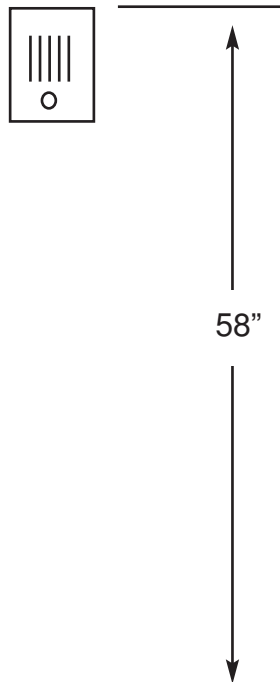
**Cable Distance**  
 ASCII controller: 500 feet

**Recommended cable**  
 Cat 5, Cat 6

# Door Station Rough-in

---

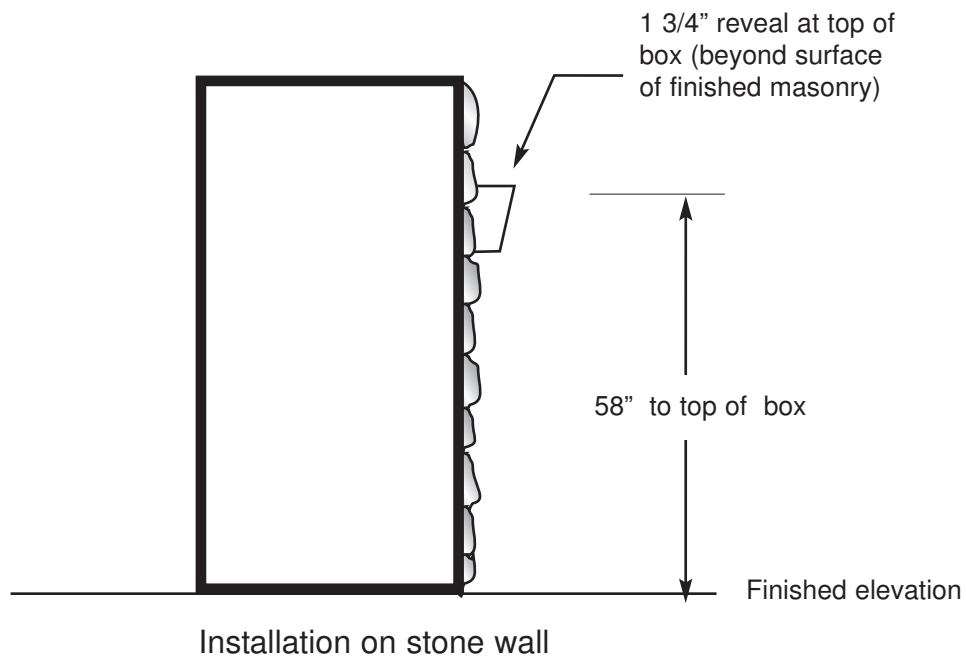
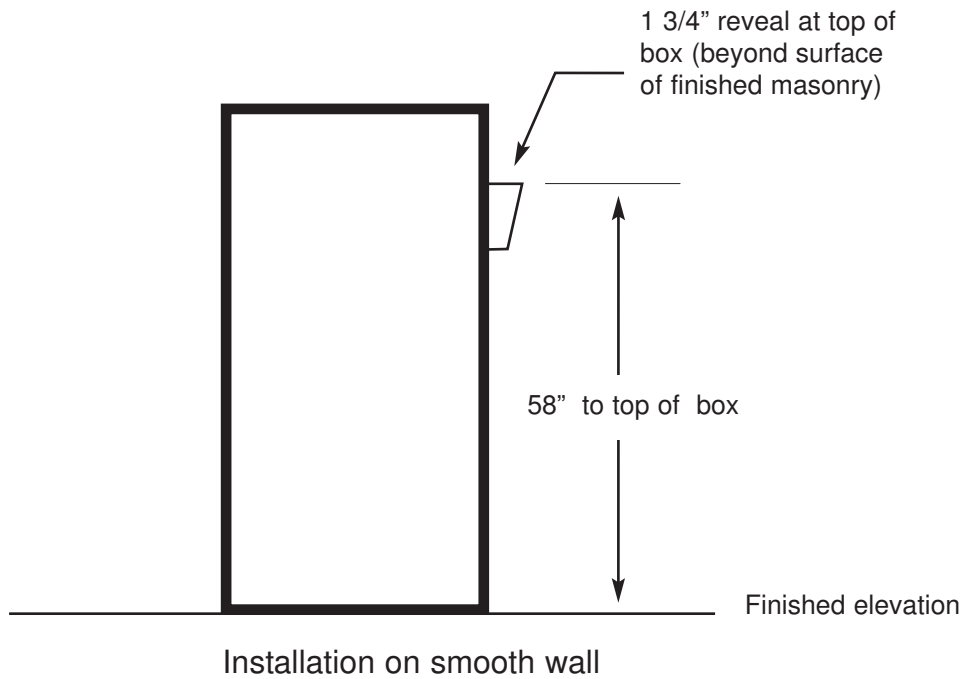
Model 201, 203, 401, 411, 1088



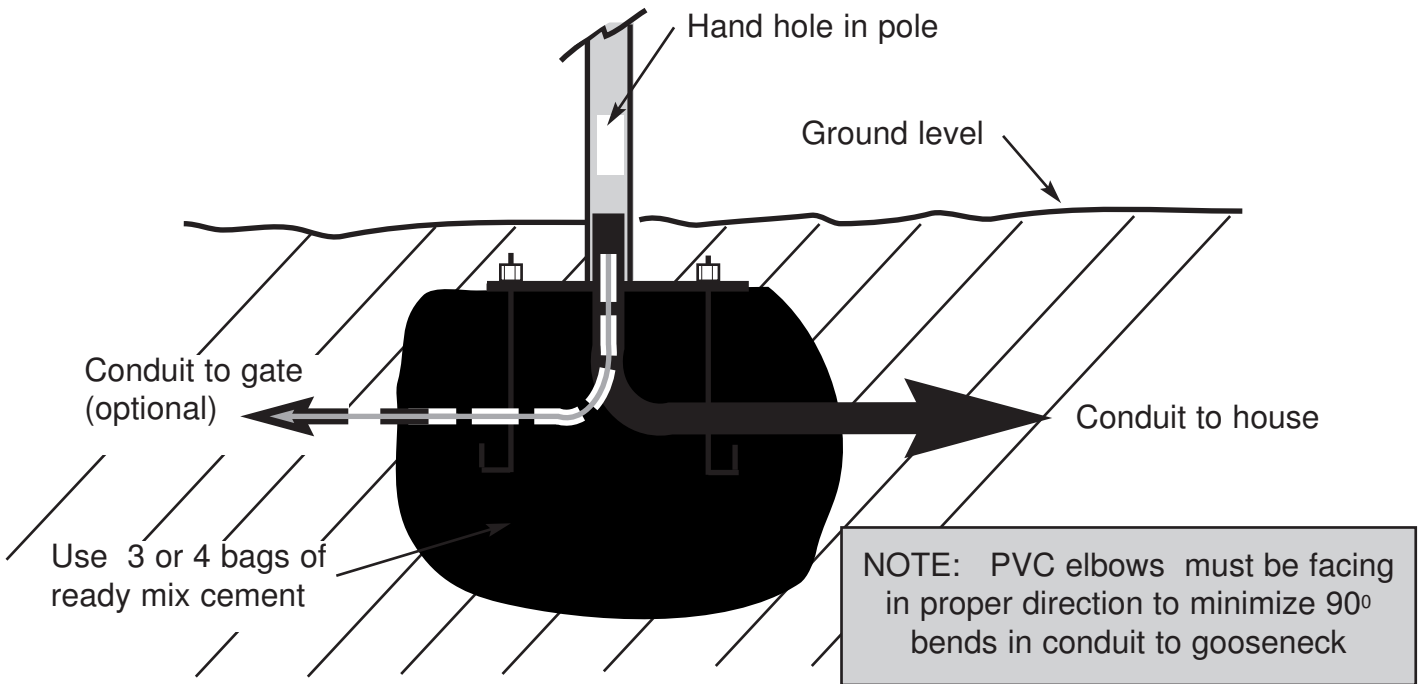
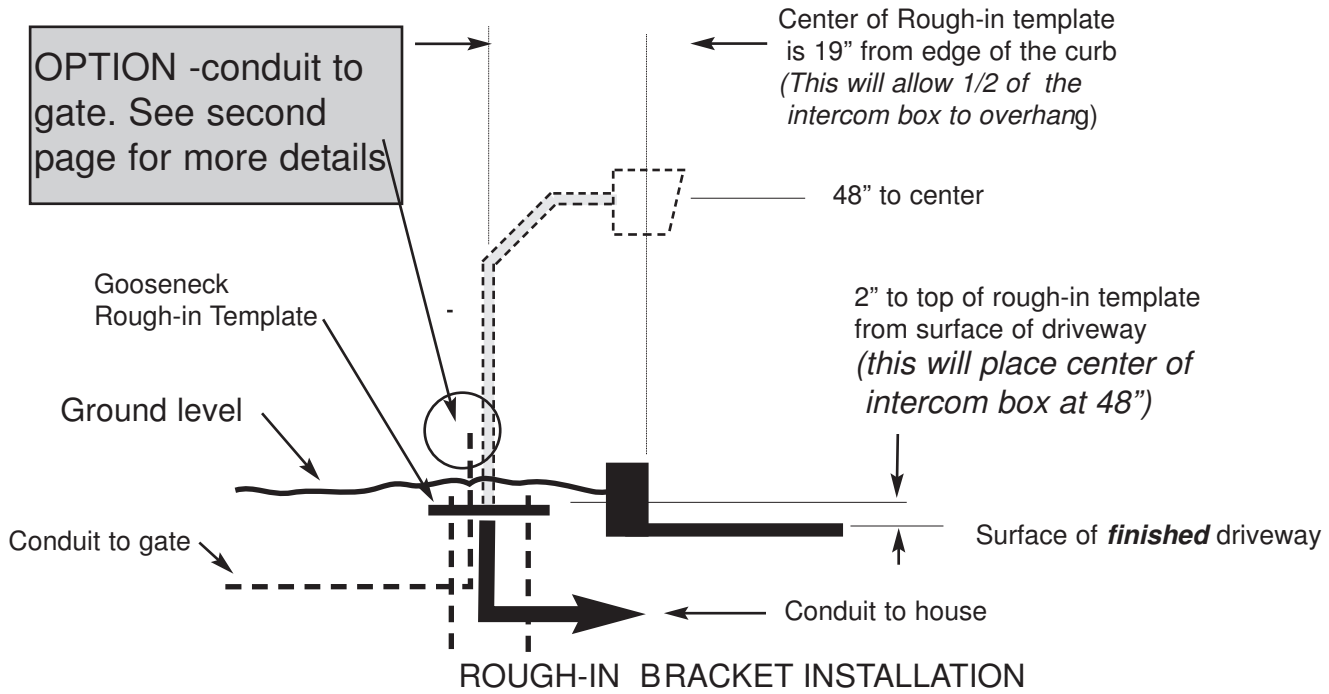
NOTE: All dimensions given are relative to "finished" surface, not rough grade.

# Installation Details - 300 and 600 Series

---



# Installation Details - 2 Piece Gooseneck



DETAIL OF ATTACHMENT OF POLE ONTO BASE

# Installation Details - 2 Piece Gooseneck

Optional application with 2 conduits

